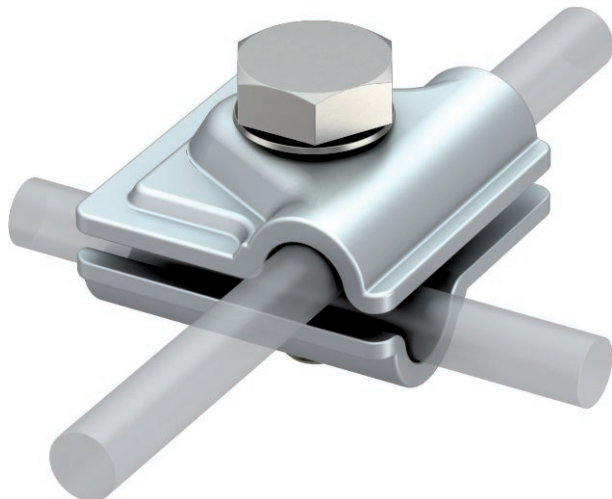


Technical data sheet

Vario quick connector

Art.-Nr. 5311519



- For T, cross and parallel connectors
- Quick installation using hexagonal bolt M10 x 30, high-grade stainless steel
- Conforms to the requirements according to DIN VDE 0185-305 (IEC 62305)



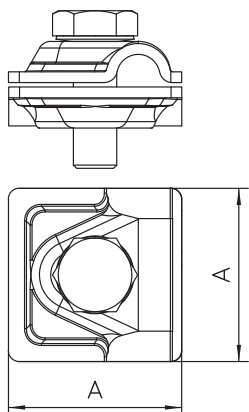
Alu Aluminium

Product description

Master data

Item no.	5311519
Type	249 8-10 ALU
Description 1	Quick connector
Description 2	vario
Dimension	8-10mm
Material	Aluminium
Material symbol	Alu
Quality	AlMg 3
Weight	6,60 kg/100 pc.

Technical data



Dimension A	44,00 mm
Type of fastening screw	Hex set screw
Type of connector	Multipurpose connection clamp
Lightning current carrying capacity	H/100 kA
Suitable for connection	Round conductor Rd 8-10 / Rd 8-10
Fit	Rd 8-10 mm
Intermediate plate	<input type="checkbox"/>