

Hi-MO 6

Scientist

LR5-54HTB 440~450M

- Suitable for Distribution Market
- Pure black for extreme elegance
- Highest efficiency with the best energy generation performance
- Better product warranty, better service



25-year Warranty for
Materials and Processing



25-year Warranty for Extra
Linear Power Output

Complete System and Product Certifications

IEC 61215, IEC 61730, UL 61730

ISO9001:2015: ISO Quality Management System

ISO14001: 2015: ISO Environment Management System

ISO45001: 2018: Occupational Health and Safety

IEC62941: Guideline for module design qualification and type approval

LONGI



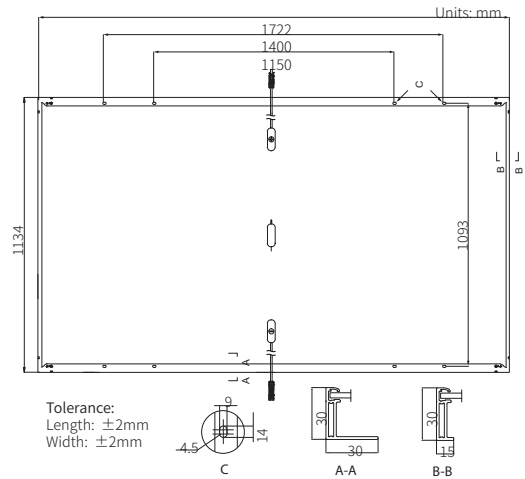
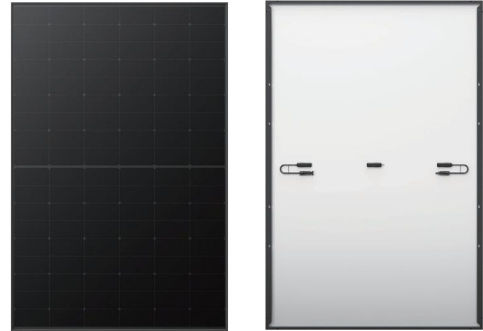
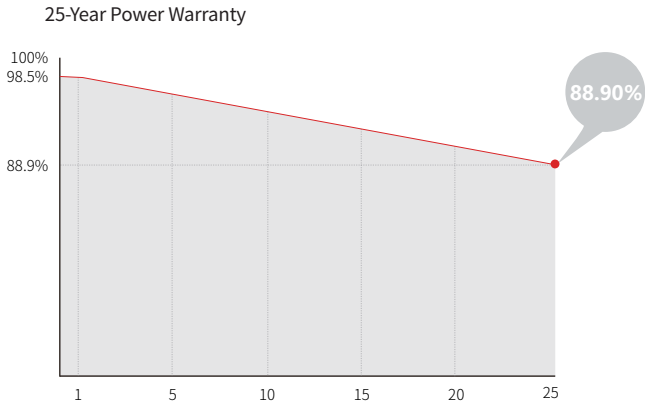
23.0%
MAX MODULE
EFFICIENCY

0~3%
POWER
TOLERANCE

<1.5%
FIRST YEAR
POWER DEGRADATION

0.40%
YEAR 2-25
POWER DEGRADATION

Additional Value



Mechanical Parameters

Cell Orientation	108 (6×18)
Junction Box	IP68
Output Cable	4mm ² , ± 1200 mm length can be customized
Glass	Single glass, 3.2mm coated tempered glass
Frame	Anodized aluminum alloy frame
Weight	20.8kg
Dimension	1722×1134×30mm
Packaging	36pcs per pallet / 216pcs per 20' GP / 936pcs per 40' HC

Electrical Characteristics

STC: AM1.5 1000W/m² 25°C

NOCT: AM1.5 800W/m² 20°C 1m/s

Test uncertainty for P_{max}: $\pm 3\%$

Module Type	LR5-54HTB-440M		LR5-54HTB-445M		LR5-54HTB-450M	
	STC	NOCT	STC	NOCT	STC	NOCT
Testing Condition	STC	NOCT	STC	NOCT	STC	NOCT
Maximum Power (P _{max} /W)	440	329	445	333	450	337
Open Circuit Voltage (V _{oc} /V)	39.83	37.40	40.03	37.58	40.23	37.77
Short Circuit Current (I _{sc} /A)	14.15	11.43	14.23	11.49	14.31	11.55
Voltage at Maximum Power (V _{mp} /V)	33.56	30.62	33.76	30.81	33.96	30.99
Current at Maximum Power (I _{mp} /A)	13.12	10.75	13.19	10.82	13.27	10.88
Module Efficiency(%)	22.5		22.8		23.0	

Operating Parameters

Operational Temperature	-40°C ~ +85°C
Power Output Tolerance	0 ~ 3%
V _{oc} and I _{sc} Tolerance	$\pm 3\%$
Maximum System Voltage	DC1500V (IEC/UL)
Maximum Series Fuse Rating	25A
Nominal Operating Cell Temperature	45 ± 2 °C
Protection Class	Class II
Fire Rating	UL type 1 or 2 IEC Class C

Mechanical Loading

Front Side Maximum Static Loading	5400Pa
Rear Side Maximum Static Loading	2400Pa
Hailstone Test	25mm Hailstone at the speed of 23m/s

Temperature Ratings (STC)

Temperature Coefficient of I _{sc}	+0.050%/°C
Temperature Coefficient of V _{oc}	-0.230%/°C
Temperature Coefficient of P _{max}	-0.290%/°C